



JOSAM play detectors

A necessity before the wheel alignment



First-rate and versatile equipment is required to determine wear and tear on wheel suspension and steering systems.

To obtain reliable results when carrying out wheel and axle measuring on vehicles, it is essential to first check for any excessive play. The play detectors from Josam do this job in a matter of minutes.

The design of the plates permits circular movement which can detect play in both axial and radial directions. The wheel moves forwards, backwards as well as sideways.

The play detectors are simple to install and are secured in place by three expansion shell bolts.



Josam play detectors can be installed either directly on the floor or over the service pit



Function

The JOSAM play detectors can be used for checking trucks, semi trailers, trailers, passenger cars as well as buses. Before the axle is checked for possible play, it is placed on the plates and the brake is applied.

The operator steers the movement of the plates by means of a control handle. This control mechanism includes a halogen lamp which makes it easy to spot any play in the wheel suspension.

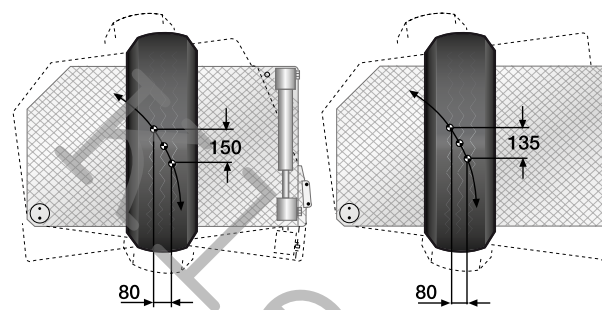


Technical data

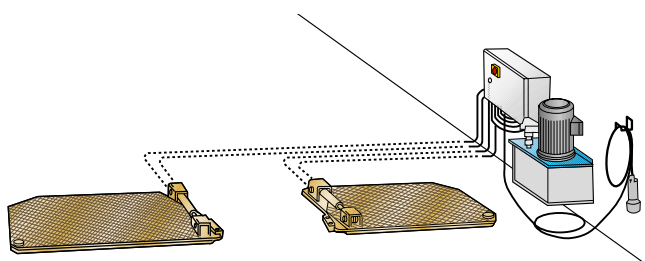
- Max axle pressure: Dynamic load 13 tons. Static load 20 tons
- Mains voltage: 3 x 400 V standard 50 Hz. (Alternative voltage delivered to order)
- Sideway play: ~ 80 mm (AM 800 K) ~80 mm (AM 900 K)
- Longitudinal play: ~150 mm (AM 800 K) ~135 mm (AM 900 K)

AM 800 K

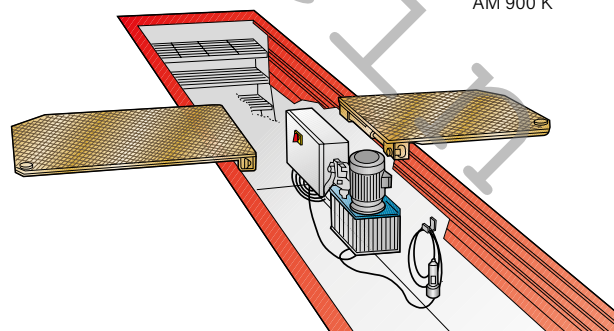
AM 900 K



AM 800 K



AM 900 K



Representative: Siems a Klein, spol. s r. o.
 Krajn 1230
 252 42 Jesenice
 www.siems-klein.cz
 firma@siems-klein.cz
 tel.: 272 016 911, 608 983 968

Manufacturer:



Car-O-Liner Group AB • Box 419 • SE-701 48 rebro • Sweden
 Tel: +46 19 30 40 00 • E-mail: info@josam.se
 Internet: www.josam.se

JOSAM (2014) is a trademark of Snap-on Incorporated.
 All rights reserved.